

# Hidden HPR-20 QIC R&D<sup>Plus</sup>

**with Integrated Gas Control Unit for Advanced Research**

# Introduction

The Hiden HPR-20 QIC R&D<sup>Plus</sup> is configured for continuous analysis of **gases and vapours** at pressures near **atmosphere**.

Operating to 200°C, the QIC (quartz inert capillary) flexible 2m capillary inlet provides fast response times of less than 300 ms.

The HPR-20 QIC R&D<sup>Plus</sup> system has a mass range of 200 AMU (300, 510, 1000 AMU options) and a detection capability from **100% to less than 5 ppb**.

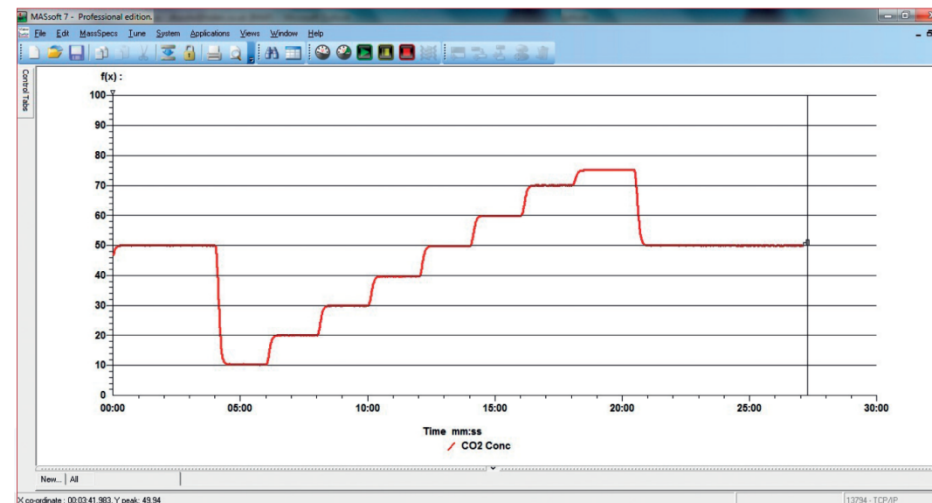
# Quadrupole Mass Spectrometers for Advanced Science



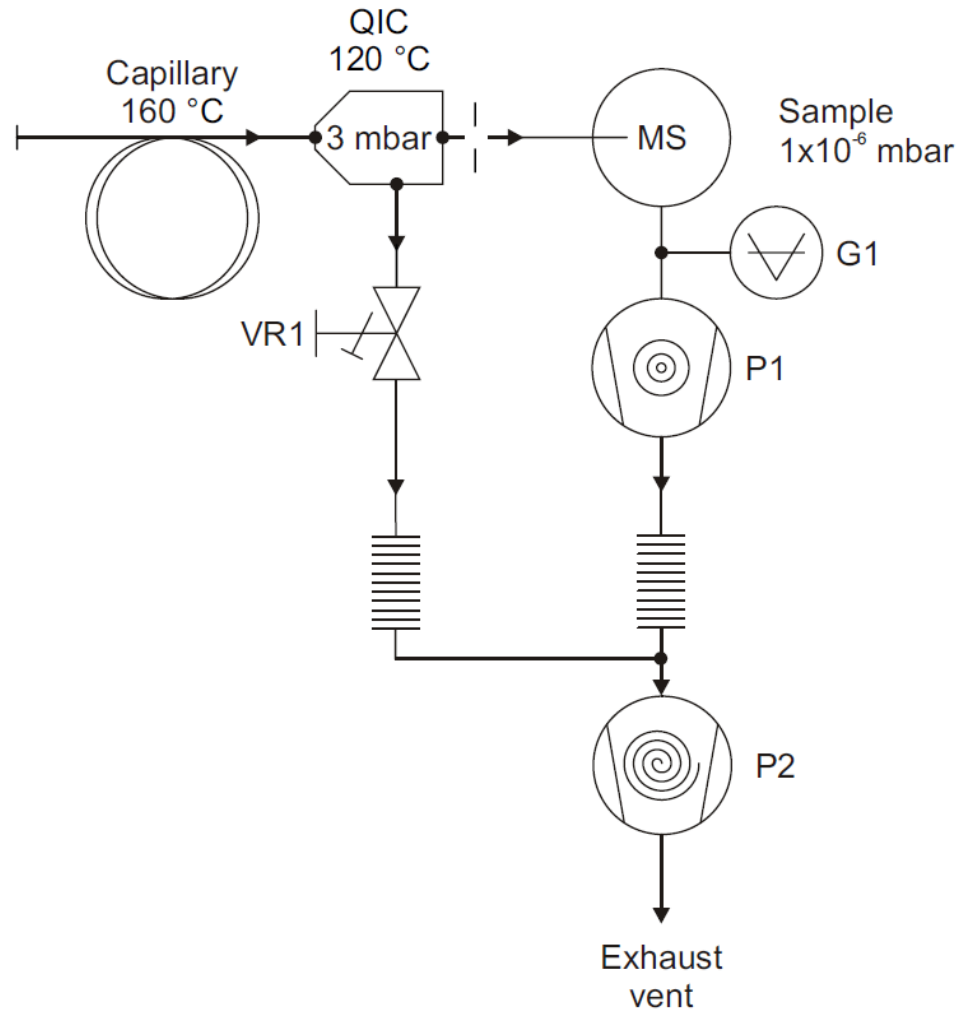
The HPR-20 QIC R&D<sup>Plus</sup> features the standard R&D system with the addition of an integrated gas mixing panel for control of gas mixes for calibration or reactant mixing.

Features:

- 4 high precision digital MFCs
- Fully software controlled
- Integrated positive shutoff valves



# HPR-20 Vacuum Schematic



**Key**

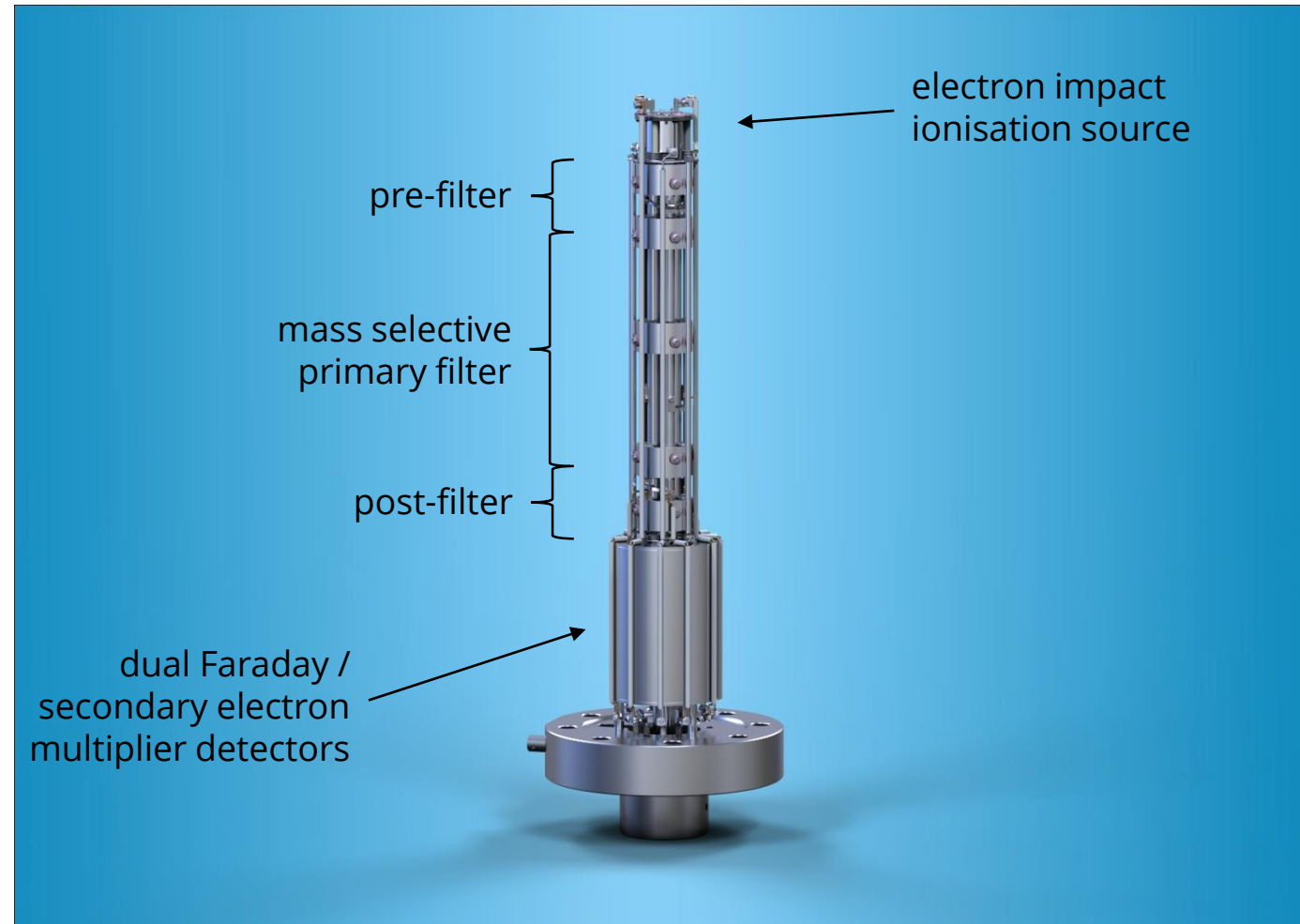
- G1 Penning gauge
- VR1 QIC Inlet bypass control valve
- P1 60 l/s turbo drag pump
- P2 Backing and bypass Scroll pump
- MS UHV Housing (Mass spectrometer chamber)



*Backing and bypass  
Scroll Pump*

# HPR-20 QIC R&D<sup>Plus</sup> Analyser:

## Hidden HAL 3F Series Triple Filter Mass Spectrometer

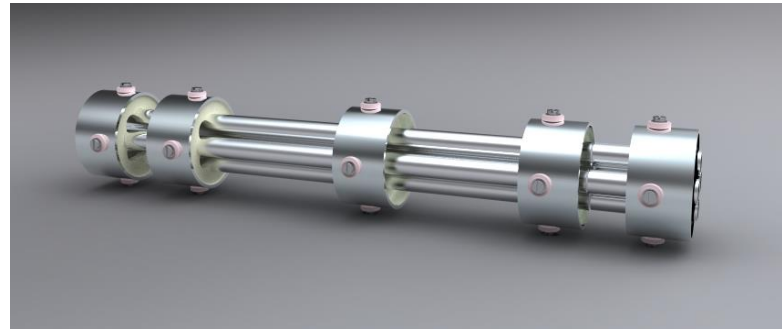


# Triple Filter Mass Spectrometer

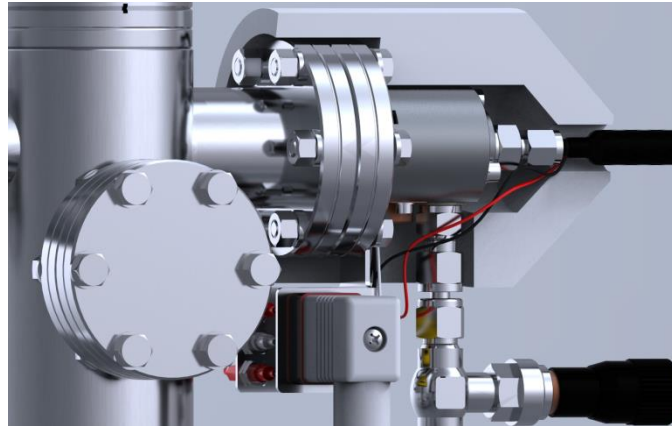
Why have a triple filter?

Two main advantages:

1. Strict control over the quadrupole entrance and exit fields provides **enhanced sensitivity for high mass transmission** and **increased abundance sensitivity**
2. **Enhanced long-term stability**. The bulk of the deselected ions from the quadrupole ioniser deposit harmlessly on the RF-only pre-filter stage, minimising contamination on the mass selective primary filter.

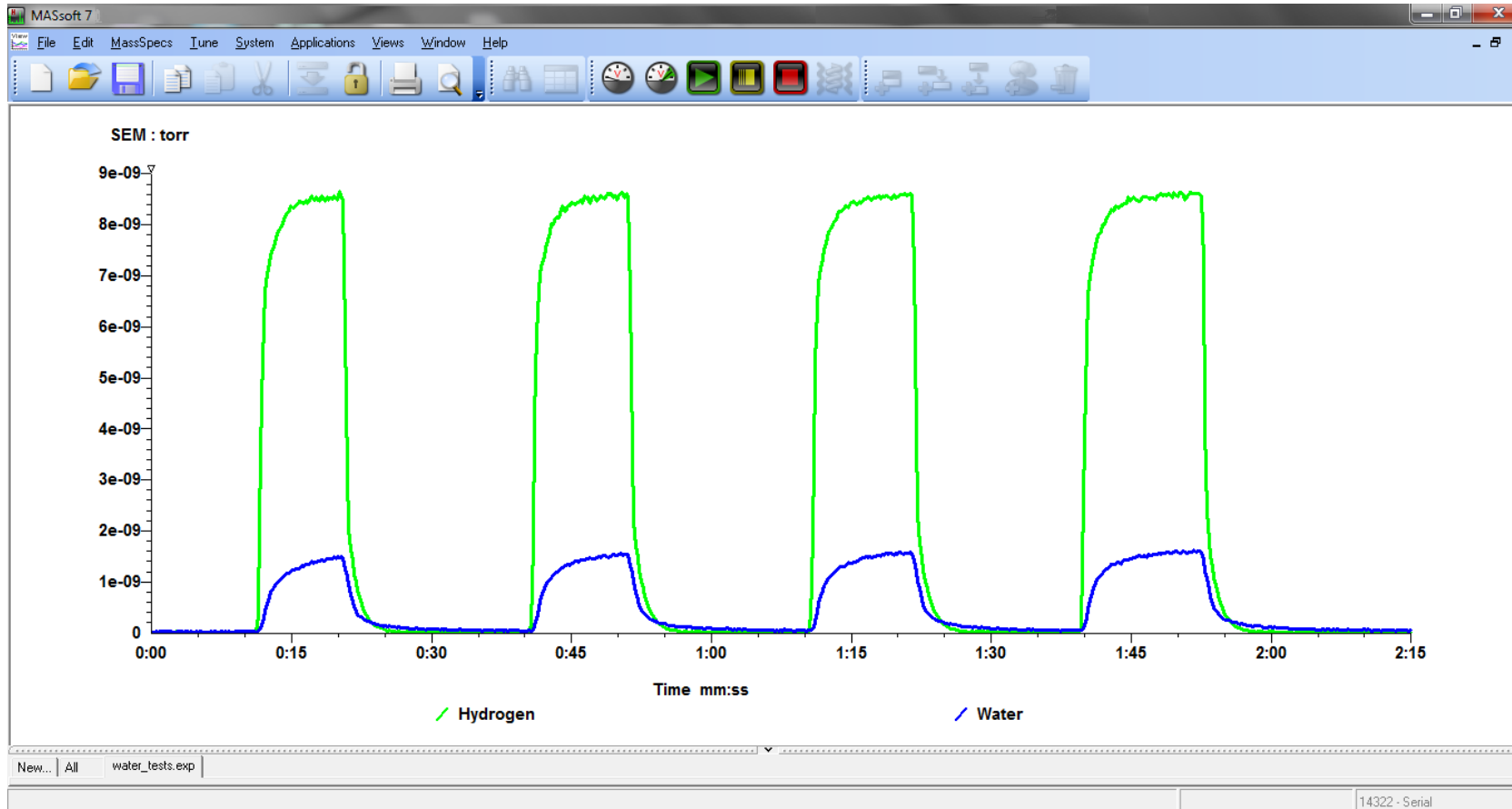


# QIC Inlet Technology



- Quartz and Platinum Wetted Surfaces → No memory effects
- Heated Capillary → No condensation effects
- Flow Matched → Optimum response / recovery
- Minimal Internal Volume → PPB detection
- Interchangeable Sampling Capillaries → Analysis from 10 Torr to 2 Bar

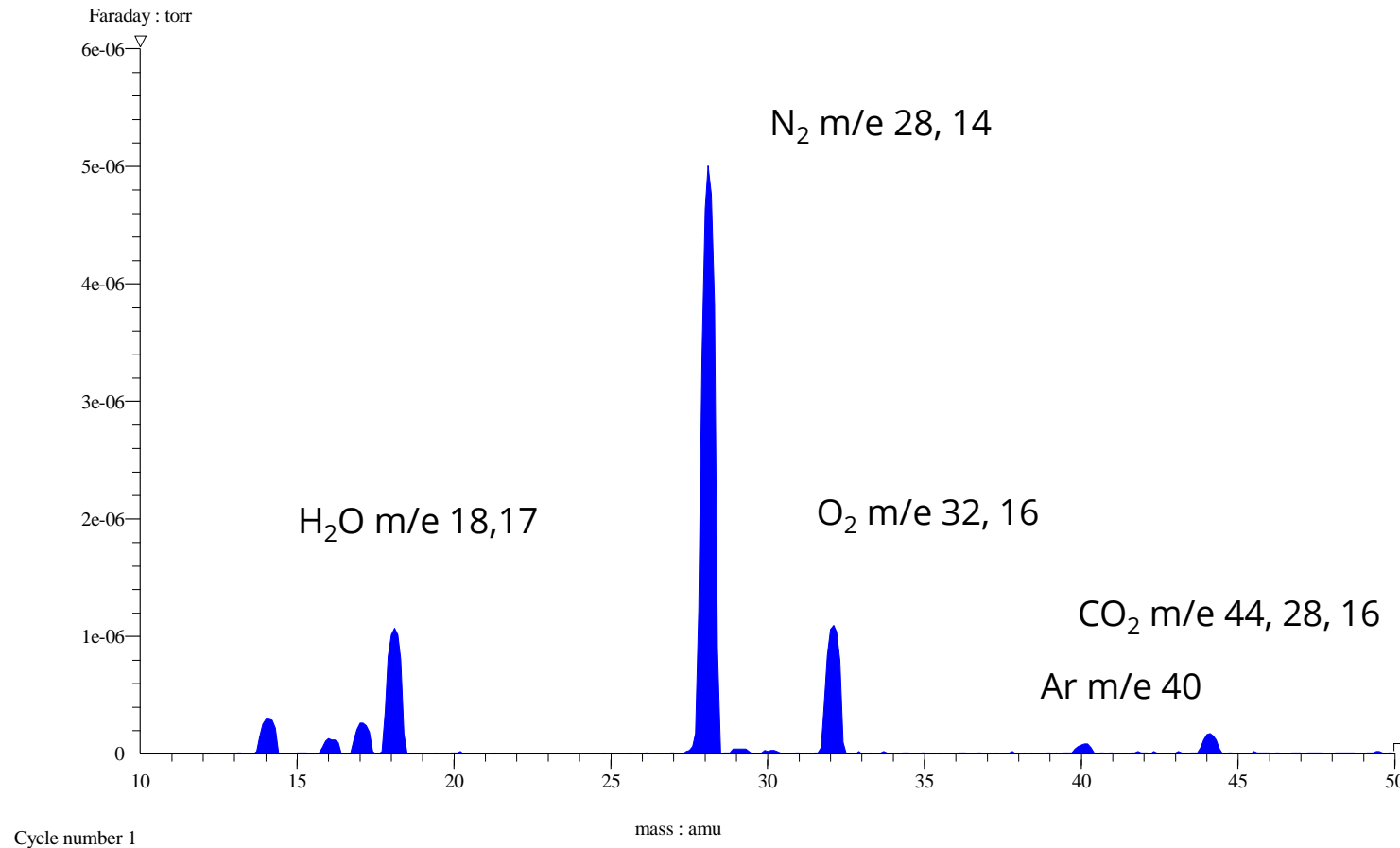
# Fast Response to Permanent Gases / Vapours



Data shows the response of a HPR-20 system to gas and vapour during switching between a dry He stream and a wet H<sub>2</sub> and Ar flow. For clarity, only the H<sub>2</sub> and H<sub>2</sub>O data is shown in the graph.



# Typical Mass Spectrum of Air



*Note: Different species can have the same mass e.g. CO, N<sub>2</sub> m/e 28*

# Soft Ionisation

Unique to Hiden gas analysis systems, soft ionisation allows users to selectively ionise different gases by setting the ionisation energy for a particular mass.

This powerful technique can simplify the analysis of otherwise complex cracking patterns from multi-component gas/vapour mixtures.

The ionisation energy can be altered from 4 to 150 eV, in 0.1 eV increments. Standard operation is at 70 eV.

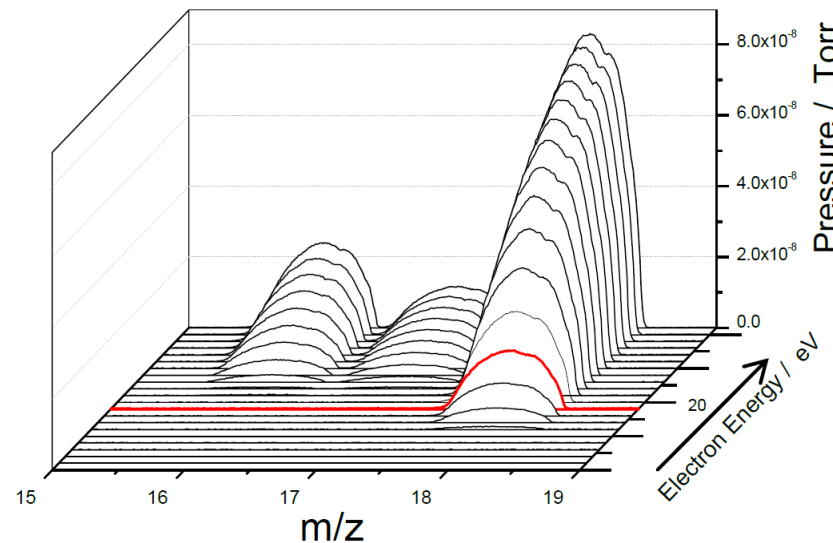


Figure 1 A:  $m/z$  vs Electron energy- $\text{H}_2\text{O}/\text{Air}$

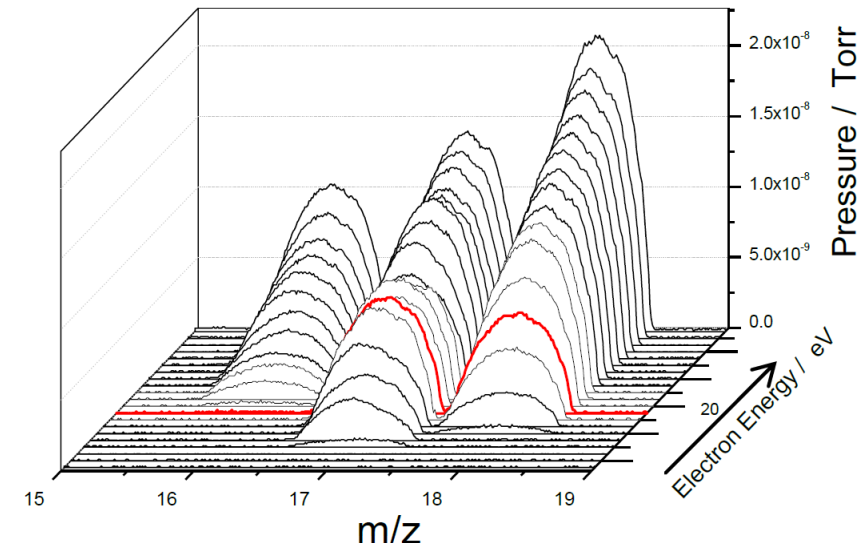
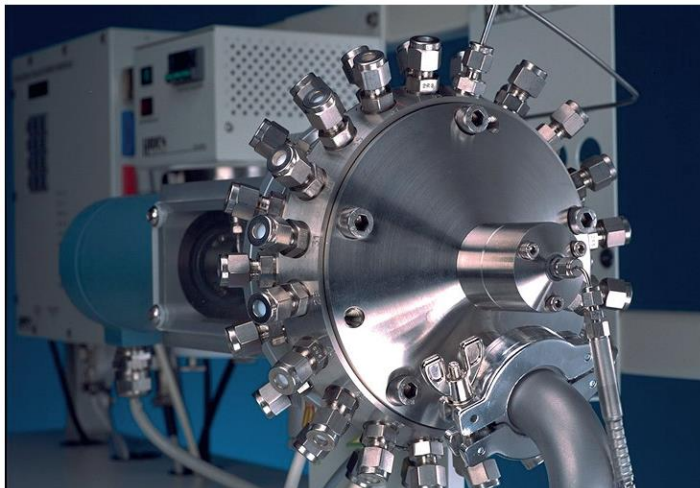
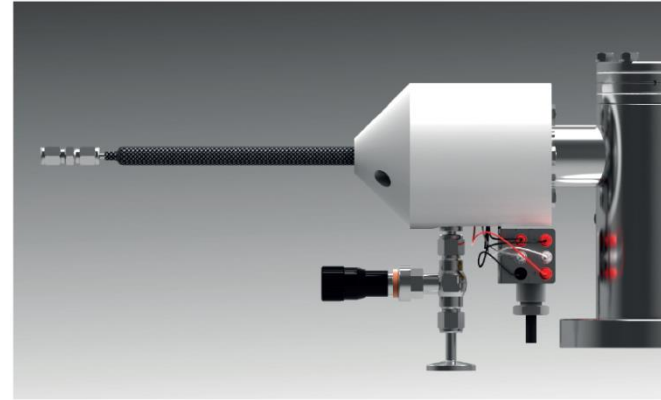


Figure 1 B:  $m/z$  vs Electron energy- $\text{NH}_3/\text{H}_2\text{O}/\text{Air}$  mix

## Gas Sampling Options

### Pressure:

Inlet options are available for sampling both above and below atmospheric pressure. High pressure inlets for sampling at **up to 30 bar** and special capillaries for sampling **down to 1 mbar**.



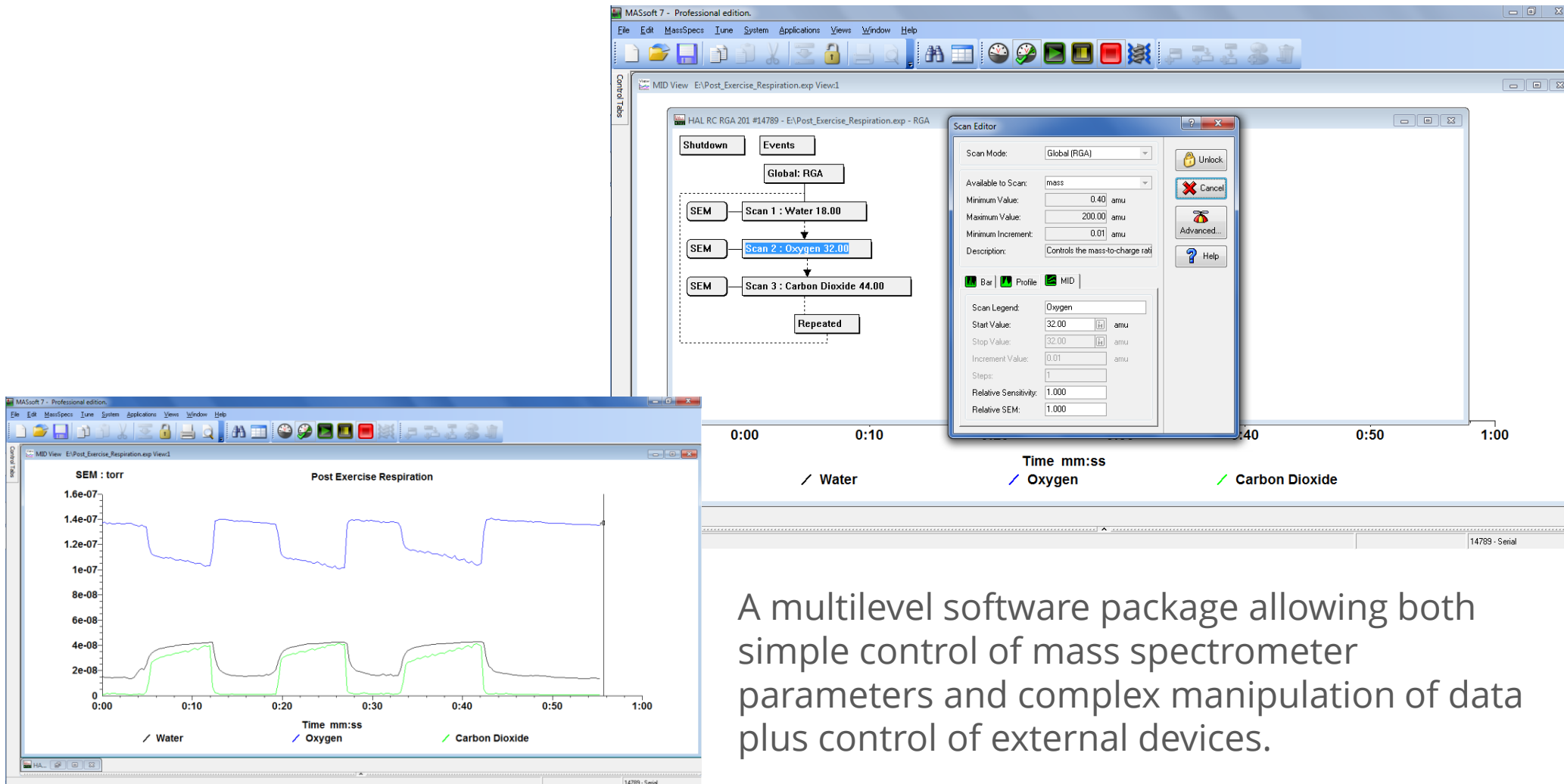
### Multi-stream selectors:

2, 8, 16, 20, 40 and 80 way options

### Temperature:

- Heated capillary extensions
- High temperature capillary inlets
- Hot-zone adaptors
- Heated multi-stream inlets

# MASsoft 7 Professional control software



A multilevel software package allowing both simple control of mass spectrometer parameters and complex manipulation of data plus control of external devices.

# QGA Professional Software for Quantitative Gas Analysis



An application specific software package for quantitative gas and vapour analysis providing real time continuous analysis of up to 32 species with concentrations measured in the range 0.1PPM to 100%.

- Automatic subtraction of spectral overlaps
- Automated calibration routines
- Mass spectral library with intelligent scan feature
- Multi-stream support

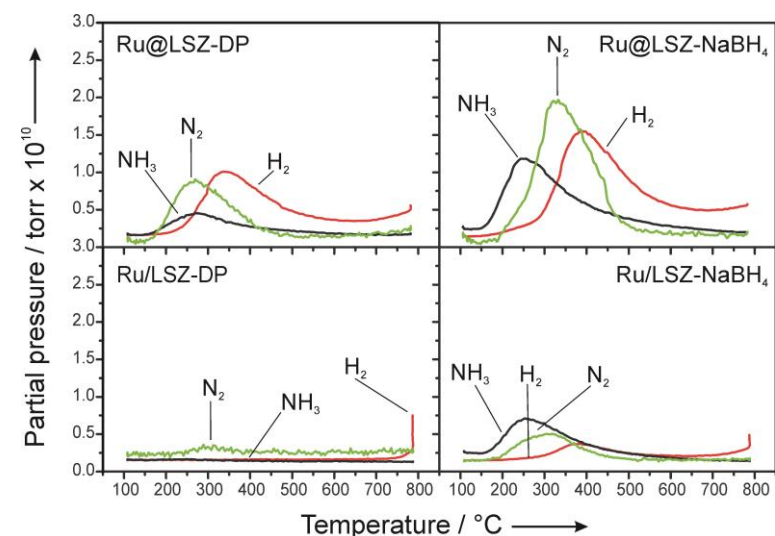
# Applications

- Catalysis
- Reaction Kinetics
- TPD/TPR/TPO
- Thermal Analysis Mass Spectrometry
- Gas Purity Analysis
- Process Characterisation
- Fermentation Off Gas Analysis
- Environmental Gas Analysis
- Combustion Studies
- CVD/MOCVD



# Applications: Catalysis Research

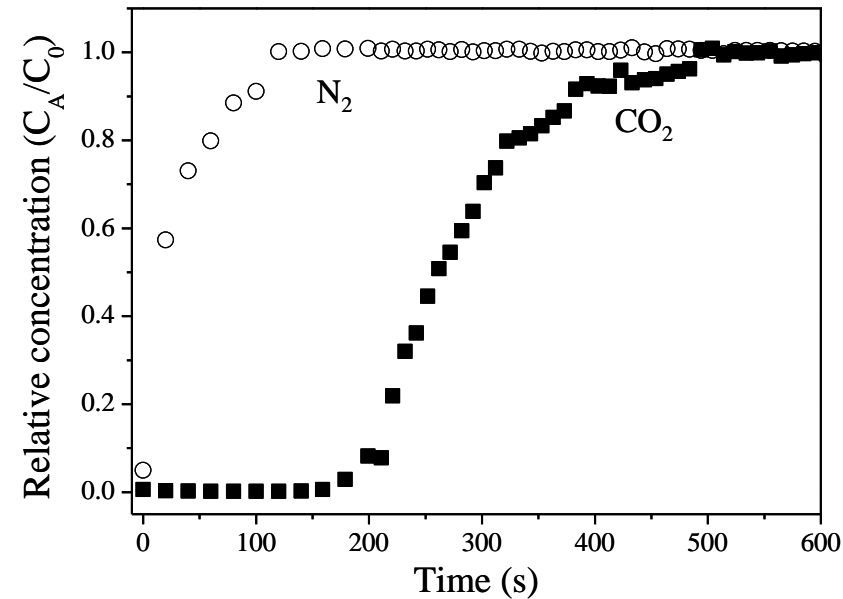
- Catalyst characterisation
- Kinetic and thermodynamic measurements
- TPD, TPO, TPR, TP-Reaction
- On-line continuous product analysis
- Total Surface Area / Metal Surface Area
- Mechanisms of Surface Reactions
- Heats of Adsorption and Co-adsorption
- Operando Studies



*NH<sub>3</sub>-TPD on embedded Ru@LSZ and impregnated Ru/LSZ catalysts.*

Ref: Lorenzut et al. (2011) *Hydrogen production through alcohol steam reforming on Cu/ZnO-based catalysts*, Applied Catalysis B, **101** (3&4), 397-408.

# Applications: Environmental Gas Analysis



Breakthrough curve of CO<sub>2</sub> (15% CO<sub>2</sub>, 85% balance N<sub>2</sub>) on mesoporous alumina.

Ref: Yang et al. (2010) CO<sub>2</sub> adsorption over ion-exchanged zeolite beta with alkali and alkaline earth metal ions, *Mesoporous Materials* **135** (1-3), 90-94.



## Hidden HPR-20 Users



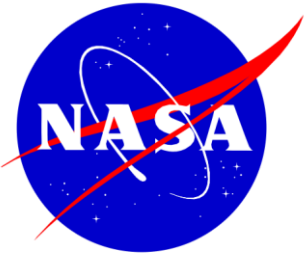
THE UNIVERSITY  
OF QUEENSLAND  
AUSTRALIA



SUZUKI



Imperial College  
London



ETH

Eidgenössische Technische Hochschule Zürich  
Swiss Federal Institute of Technology Zurich



NASA  
Dow Chemical  
Exxon-Mobil  
Imperial College  
MIT

University of British Columbia  
University of Queensland  
BASF  
Seoul National University  
Suzuki  
University of Cambridge  
Beijing Institute of Technology  
Samsung  
ETH Zürich  
KAUST  
Durham University  
Siemens  
Shell



Massachusetts  
Institute of  
Technology



جامعة الملك عبد الله  
للعلوم والتقنية  
King Abdullah University of  
Science and Technology



Durham  
University



SIEMENS



## Summary

- Triple filter quadrupole mass spectrometer gas analysis system with integrated gas control unit
- Real-time, multi-species analysis – 5 PPB to 100%
- Fast response to permanent gases and vapours – less than 300 ms response time
- Soft ionisation for reduced spectral fragmentation and simplified data interpretation





Hiden Analytical Ltd.  
420 Europa Boulevard  
Warrington, WA5 7UN, England

[www.HidenAnalytical.com](http://www.HidenAnalytical.com)

[info@hiden.co.uk](mailto:info@hiden.co.uk)

Tel: +44 (0)1925 445 225

