

QIC Biostream

- Fermentation process analysis
- Synthetic process analysis
- Biogas production monitoring
- Spatially resolved MS
- Mammalian cell culture analysis
- Reaction profile studies



Features:

- Triple Filter Quadrupole Mass Spectrometer for high precision analysis
- Quantitative Analysis of up to 16 species
- Dissolved Species Analysis
- Multi-stream monitoring – up to 80 streams
- Proteus® state-of-the-art valve switching technology
- LF Configuration: Low flow with flow rates from 4ml/min
- HF Configuration: High flow with flow rates from 100ml/min
- OPC Server Technology
 - Derived parameters including Respiratory Quotient (RQ)

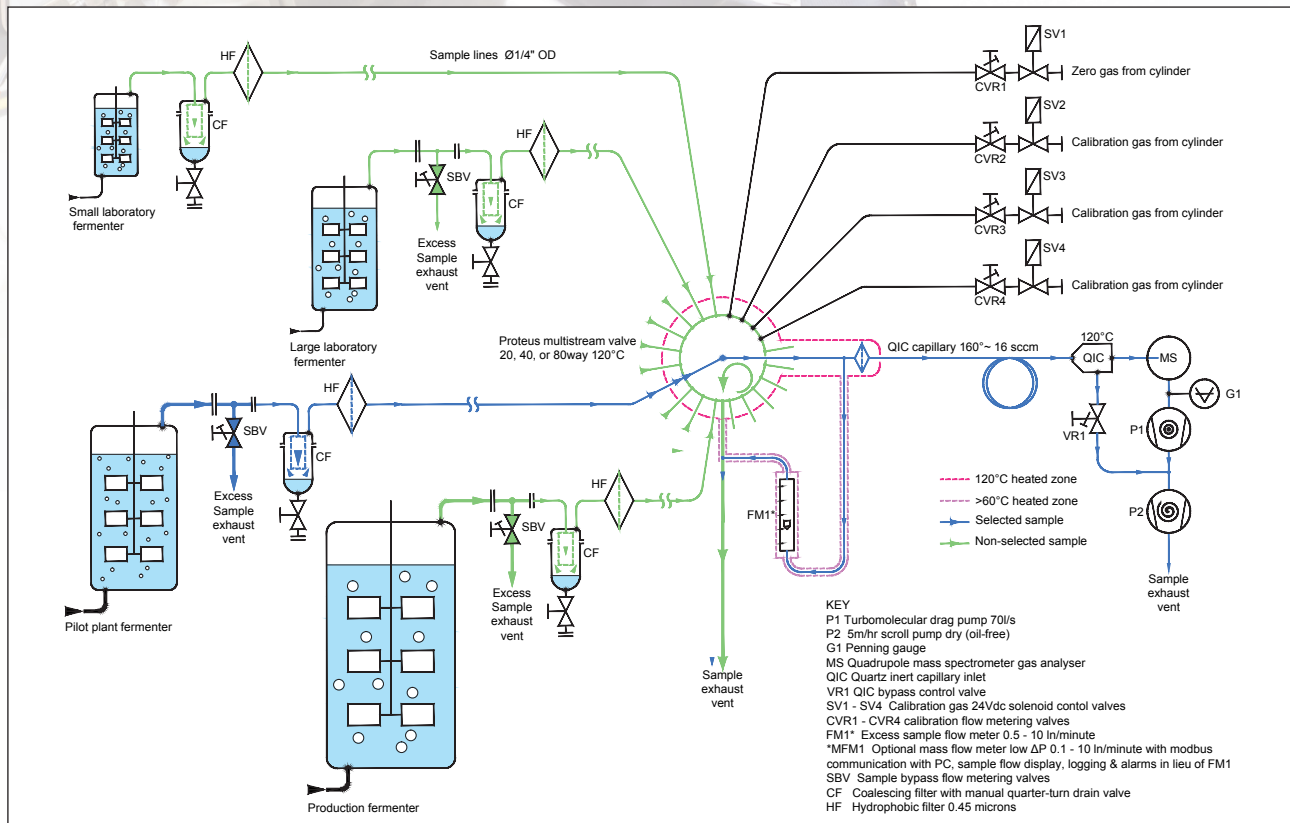
HIDEN
ANALYTICAL

QIC-Biostream Technical Specifications

Mass Range:	200 or 300 amu.
Operating modes:	Process trend analysis. Bar Scan. Profile Scan.
Mass Spectrometer:	Precision Triple Filter Quadrupole - 200 amu is standard.
Inlet:	20, 40 or 80-way multiplexed inlet multiple stream sampling.
Data Acquisition and Control:	Win 7 compatible. QGA Pro software with OPC Server technology. I/O for integration with external inputs, flow rates, temperature for example. Communications to a PC: RS232, USB 2.0, 10/100Base-T Ethernet.
Dimensions:	1500mm x 600mm x 1280mm high.

Fermenter Sampling

A typical system setup for sampling from multiple fermenters, configured with sample conditioning components, sample lines and flow control valves to accommodate reactors with flows from 100ml/min up to > 10L/min.



Manufactured in England by:



HIDEN ANALYTICAL LTD. 420 EUROPA BOULEVARD, WARRINGTON, WA5 7UN, ENGLAND

Tel: +44 (0)1925 445225 Fax: +44 (0)1925 416518 Email: info@hiden.co.uk

It is Hiden Analytical's policy to continually improve product performance and therefore specifications are subject to change.

TECHNICAL DATA SHEET 186

